

Product datasheet

Specifications



7 inch wide screen, Universal model, 2 serial ports, 1 Ethernet port, embedded RTC

HMIGXU3512

⚠ Discontinued on: May 1, 2024

⚠ To be discontinued

Main

Range of product	Harmony Easy GXU
Product or component type	Advanced touchscreen panel
Display type	LCD touch screen
Display colour	65536 colours
Display resolution	800 x 480 pixels WVGA
Display size	7 inch

Complementary

Backlight lifespan	20000 hours
[Us] rated supply voltage	24 V DC
Software designation	Vijeo Designer Basic configuration software
Memory description	Internal, 48 MB for application Internal DDR, 128 MB Internal, 128 kB for backup
Integrated connection type	USB type mini B COM1 serial link: 9-way male SUB-D connector, RS232C COM2 serial link: 9-way male SUB-D connector, RS422/RS485 USB type A Ethernet 10/100BASE-TX
Cut-out dimensions	190 x 135 mm

Environment

Quality labels	CE
Ambient air temperature for operation	0...50 °C
Ambient air temperature for storage	-20...60 °C
IP degree of protection	IP65 (front panel)

Packing Units

Unit Type of Package 1	PCE
Number of Units in Package 1	1
Package 1 Height	9.300 cm
Package 1 Width	17.900 cm
Package 1 Length	25.400 cm

Price is "List Price" and may be subject to a trade discount – check with your local distributor or retailer for actual price.

Package 1 Weight	821.000 g
Unit Type of Package 2	S04
Number of Units in Package 2	12
Package 2 Height	30.000 cm
Package 2 Width	40.000 cm
Package 2 Length	60.000 cm
Package 2 Weight	10.870 kg


Environmental Data


Schneider Electric aims to achieve Net Zero status by 2050 through supply chain partnerships, lower impact materials, and circularity via our ongoing “Use Better, Use Longer, Use Again” campaign to extend product lifetimes and recyclability.

[Environmental Data explained >](#)

[How we assess product sustainability >](#)

Use Better



 Materials and Substances	
Packaging made with recycled cardboard	Yes
Packaging without single use plastic	Yes
SCIP Number	B8470c41-5424-49bd-8060-75b11b159a6b
China RoHS Regulation	China RoHS declaration

 Energy efficiency	
Optimized Energy Efficiency	Energy efficient product

Use Longer

 Lifetime extension	
Upgradeability	Yes

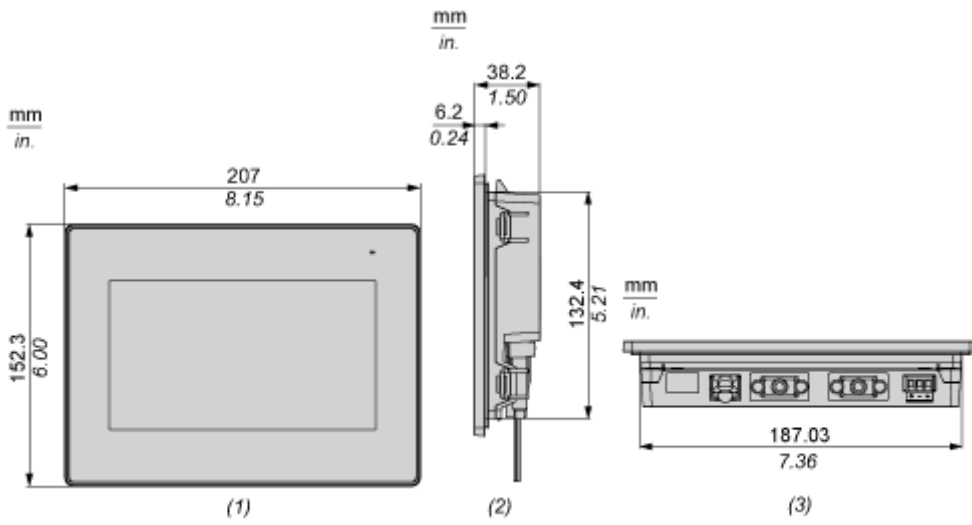
Use Again

 Repack and remanufacture	
Removable battery	Yes
WEEE	 The product must be disposed on European Union markets following specific waste collection and never end up in rubbish bins
Take-back	No

Dimensions Drawings

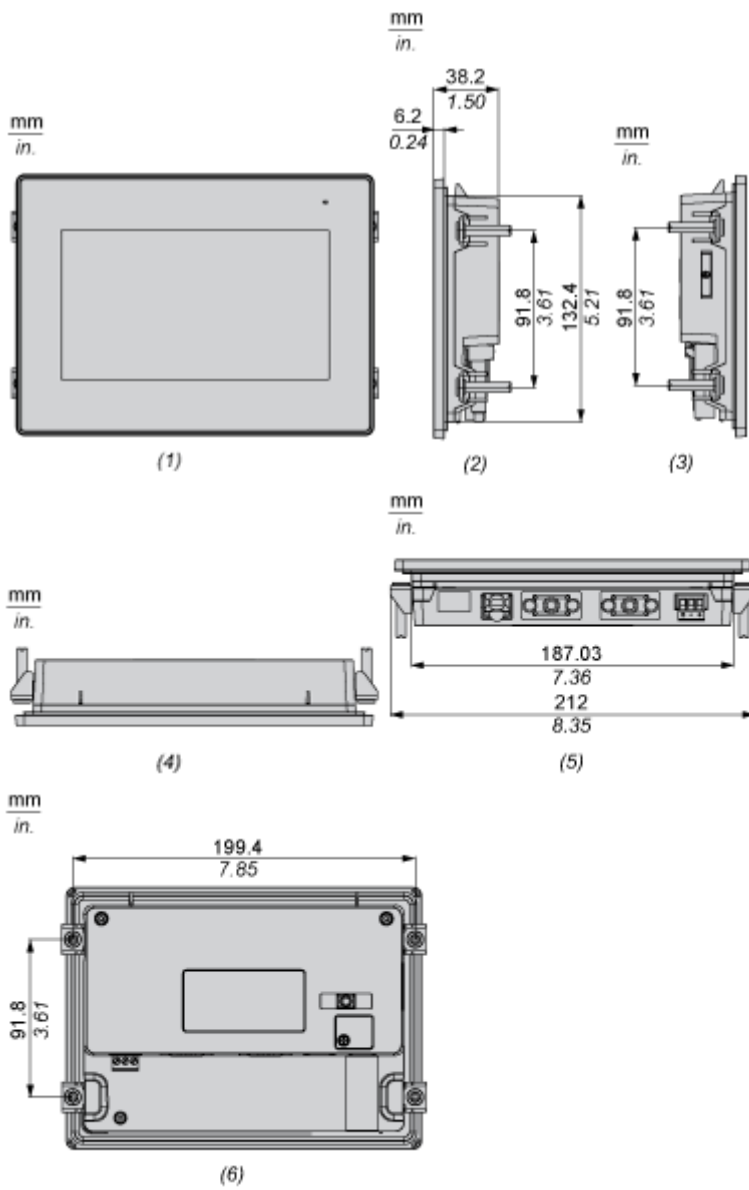
Dimensions

External Dimensions



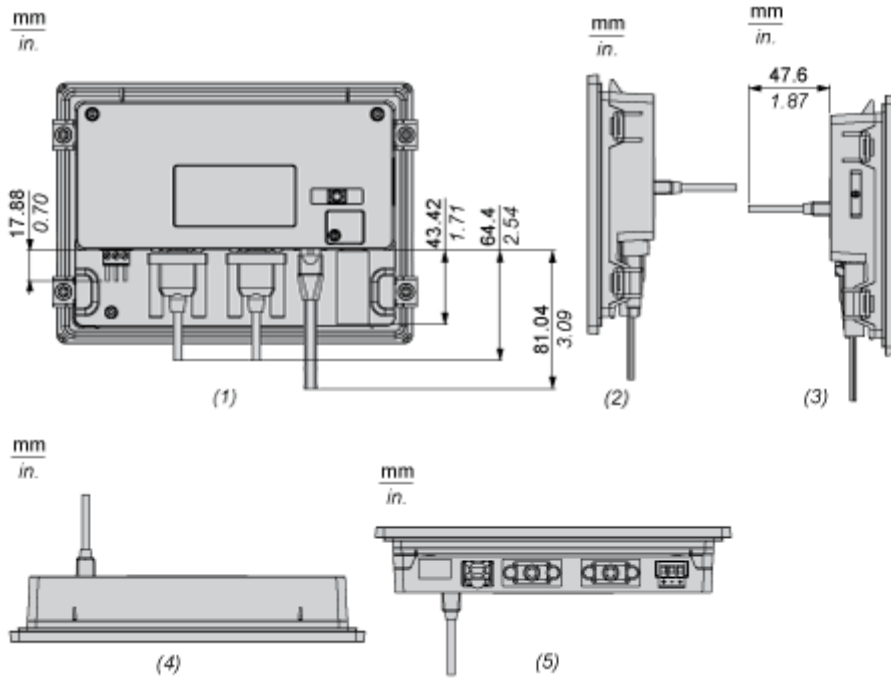
- (1) Front
- (2) Right
- (3) Bottom

Installation with Installation Fasteners



- (1) Front
- (2) Right
- (3) Left
- (4) Top
- (5) Bottom
- (6) Rear

Dimensions with Cables

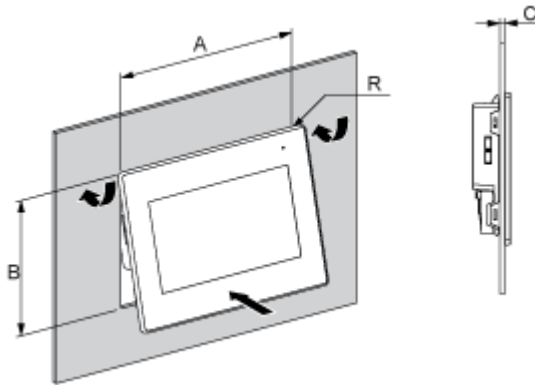


- (1) Rear
- (2) Right
- (3) Left
- (4) Top
- (5) Bottom

Mounting and Clearance

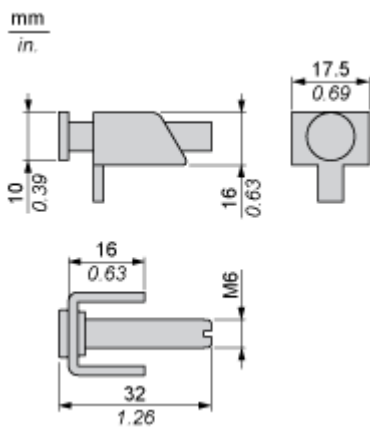
Mounting

Panel Cut Dimensions



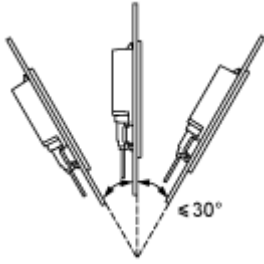
A		B		C		R	
mm	in.	mm	in.	mm	in.	mm	in.
190±1	7.48±0.04	135±0.7	5.31±0.03	1...5	0.04...0.19	3 max	0.12 max.

Installation Fasteners Dimensions



Installation Requirements

Mounting Angle



When installing the panel in a slanted position, and the panel face inclines more than 30°, the ambient temperature must not exceed 40 °C (104 °F).

Clearance

